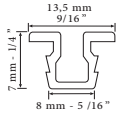
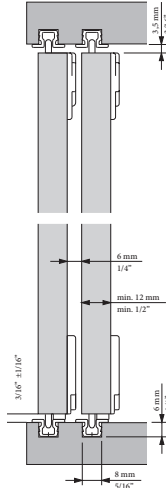
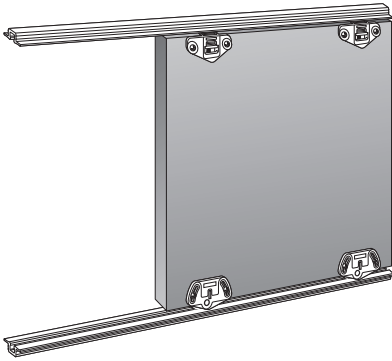
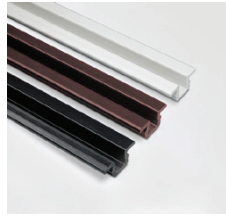


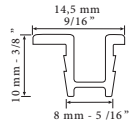
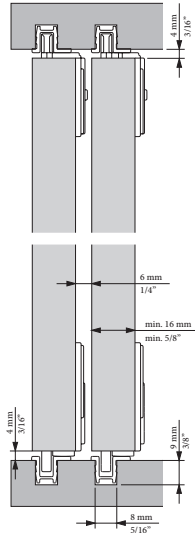
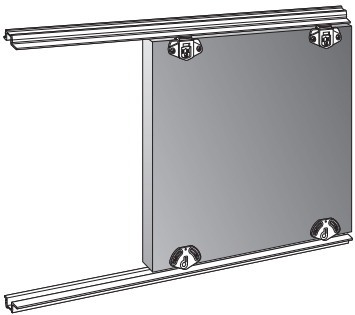
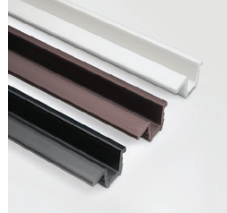
ROLL 12



ROLL 12 / 12 Kgs. / ≥ 12 mm

| | | | |
|--------------------|-----------|-----------|--|
| Perfil 3 mts | Marrón | F30693112 | |
| Perfil 3 mts | Blanco | F30693113 | |
| Jgo. Accs. Roll 12 | F30693104 | | |

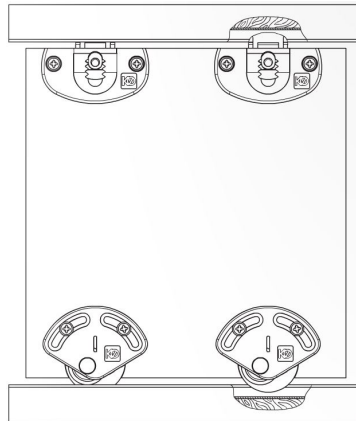
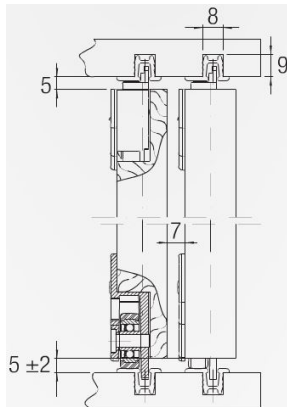
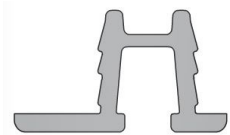
ROLL 22



ROLL 22 / 22 Kgs. / ≥ 16 mm

| | | | |
|--------------------|-----------|-----------|--|
| Perfil 3 mts | Marrón | F30693125 | |
| Perfil 3 mts | Blanco | F30693126 | |
| Perfil 3 mts | | F30693216 | |
| Jgo. Accs. Roll 22 | F30693149 | | |

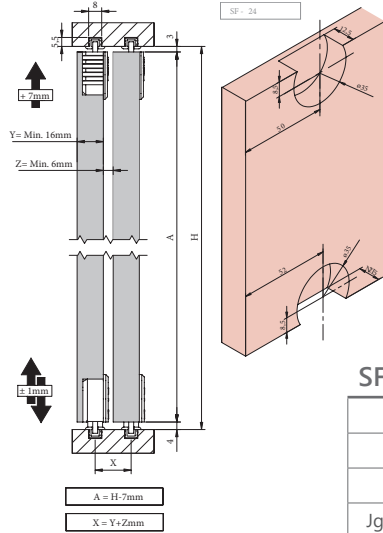
SYSTEM 310



SYSTEM 310 / 23 Kgs. / ≥ 18 mm

| | | |
|-------------------------|---------------|--|
| | Al. Anodizado | |
| Perfil sup/inf 3 mts | F305703104 | |
| Jgo. Accs. 23 kgs 03107 | F305703107 | |

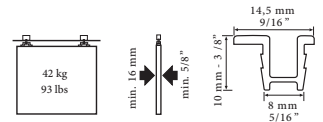
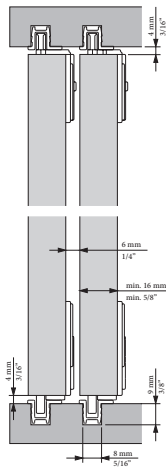
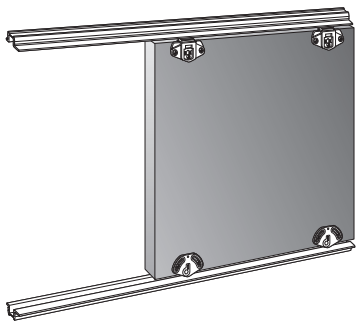
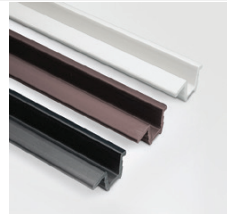
SF-24



SF-24 / 24 Kgs. / ≥16 mm

| | | | |
|------------------|---------------|------------|--|
| Perfil 2 mts | Al. Anodizado | F303002226 | |
| Perfil 3 mts | | F303002236 | |
| Perfil 3 mts | Negro | F303002237 | |
| Jgo. Accs. SF-24 | | F303002400 | |

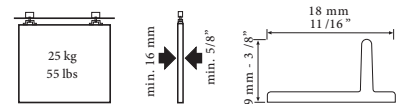
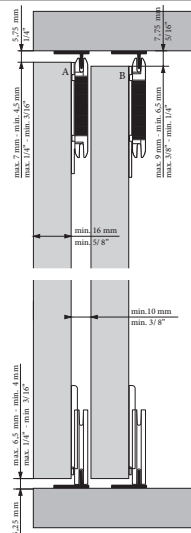
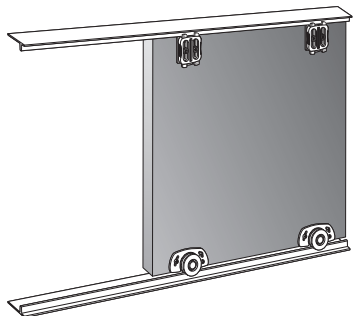
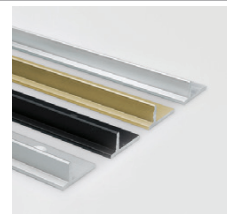
ROLL 42



ROLL 42 / 42 Kgs. / ≥16 mm

| | | | |
|--------------------|--------|-----------|--|
| Perfil 3 mts | Marrón | F30693125 | |
| Perfil 3 mts | Blanco | F30693126 | |
| Perfil 5 mts | | F30693216 | |
| Jgo. Accs. Roll 42 | | F30693144 | |

ROLL 25



ROLL 25 / 25 Kgs. / ≥16 mm

| | | | |
|--------------------|---------------|-----------|--|
| Perfil 2 mts | Al. Anodizado | F30693180 | |
| Perfil 3 mts | | F30693181 | |
| Perfil 2 mts | Negro | F30693183 | |
| Perfil 3 mts | | F30693184 | |
| Jgo. Accs. Roll 25 | | F30693100 | |

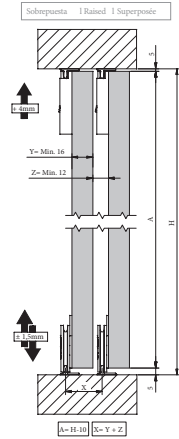
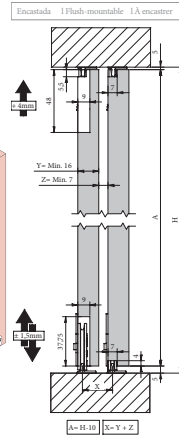
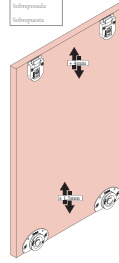
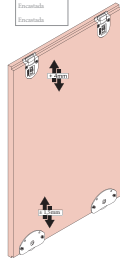
SF-25



Jgo. Accs.

Jgo. Accs. Reforz.

Perfil



| | | | |
|------------------------|--------------------------------------|------------------------|----------------------------|
| Periferia Periferia | Especificaciones Especificaciones | ENCASTADA ENCASTADA | SOBREPOSADA SOBREPUERTA |
| | | MIN. 16 mm | MIN. 7 mm MIN. 12 mm |

SF-25 / 25 Kgs / ≥16 mm

| | Al. Anodizado |
|-------------------------|---------------|
| Perfil sup. alum. 2 mts | F303002522 |
| Perfil sup. alum. 3 mts | F303002532 |
| Perfil sup. alum. 5 mts | F303002552 |
| Jgo. Accs. | F303002500 |
| Jgo. Accs. Reforzado | F303002501 |

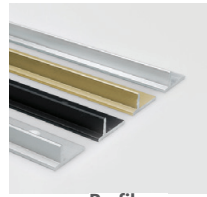
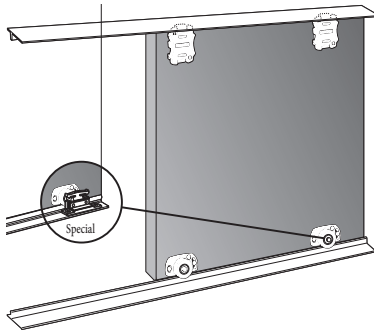
ROLL 45



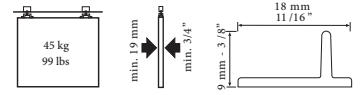
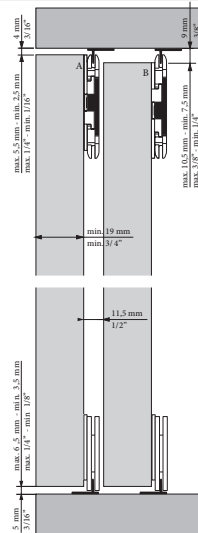
Jgo. Accs.



Jgo. Accs. Freno.



Perfil



ROLL 45 / 45 Kgs. / ≥19 mm

| Perfil | Al. Anodizado | |
|--------------------------|---------------|-----------|
| Perfil 2 mts | F30693180 | |
| Perfil 3 mts | F30693181 | |
| Perfil 2 mts | Negro | F30693183 |
| Perfil 3 mts | F30693184 | |
| Jgo. Accs. Roll 45 | F30693191 | |
| Jgo. Accs. Special Freno | F30693192 | |

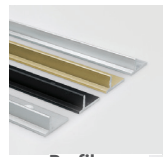
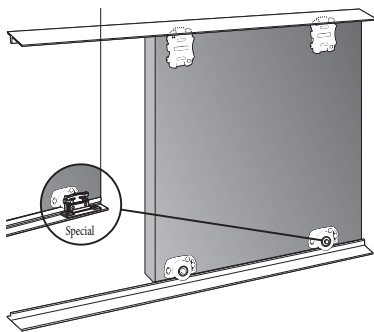
ROLL 52



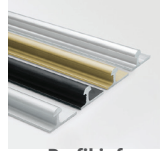
Jgo. Accs.



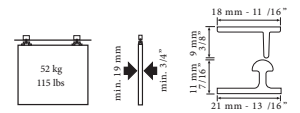
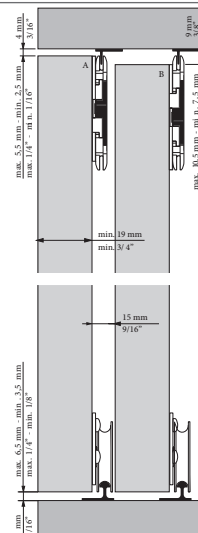
Jgo. Accs. Freno.



Perfil sup.



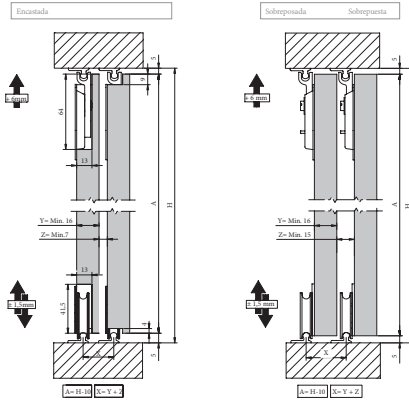
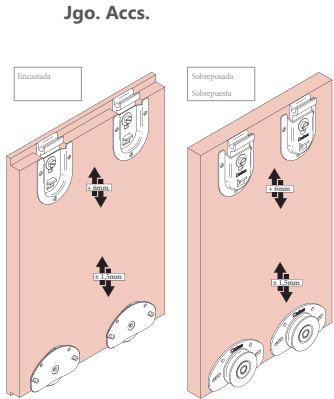
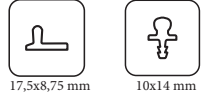
Perfil inf.



ROLL 52 / 52 Kgs. / ≥19 mm

| Perfil | Al. Anodizado | |
|--------------------------|---------------|--|
| Perfil sup.2 mts | F30693180 | |
| Perfil sup.3 mts | F30693181 | |
| Perfil inf.2 mts | F30693280 | |
| Perfil inf.3 mts | F30693281 | |
| Jgo. Accs. Roll 52 | F30693201 | |
| Jgo. Accs. Special Freno | F30693202 | |

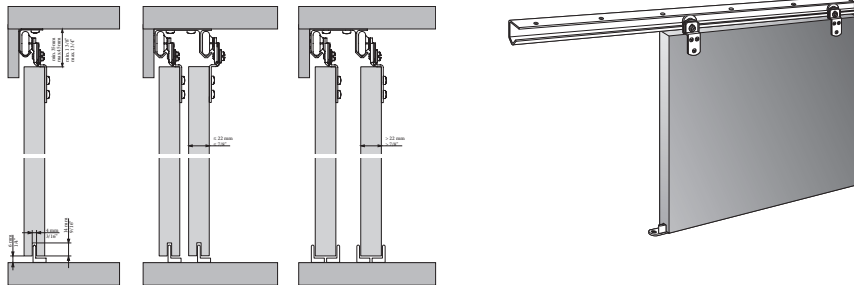
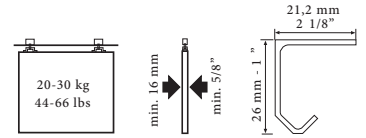
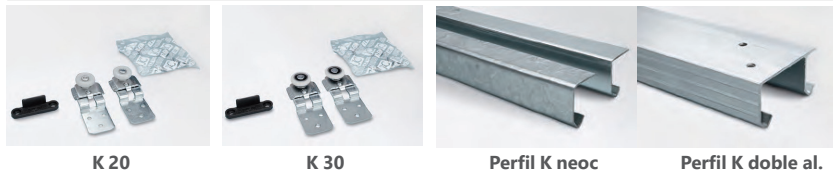
SF-51



SF-51 / 50 Kgs / ≥16 mm

| | | | |
|-----------------------|---------------|------------|--|
| Perfil sobrep. 2 mts | Al. Anodizado | F303005122 | |
| Perfil sobrep. 3 mts | | F303005132 | |
| Perfil encastar 2 mts | | F303005222 | |
| Perfil encastar 3 mts | | F303005232 | |
| Perfil sobrep. 2 mts | Negro | F303005121 | |
| Perfil sobrep. 3 mts | | F303005131 | |
| Jgo. Accs. SF-51 | F303005100 | | |

K 20/ K 30



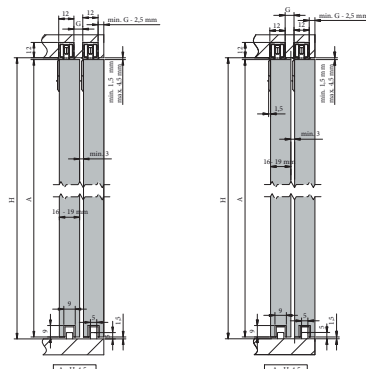
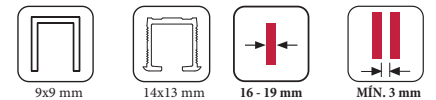
JGO. ACCS. / ≥16 mm

| | | | |
|------------|----------------|----------------|--|
| | K 20 / 20 Kgs. | K 30 / 30 Kgs. | |
| Jgo. Accs. | F30693106 | F30693103 | |

PERFILES

| | | | |
|-------------|---------------------|-----------|--|
| Zincado | Perfil 2 mts | F30693115 | |
| | Perfil 3 mts | F30693119 | |
| Al. Natural | Perfil doble. 6 mts | F30693066 | |

SF-26



SF-26 / 26 Kgs / 16-19 mm

| | | | |
|-------------------------|-------------|-------------|--|
| Perfil sup. alum. 2 mts | Al. Natural | F30300C1623 | |
| Perfil sup. alum. 3 mts | | F30300C1633 | |
| Perfil inf. negro 5 mts | Negro | F30300C1654 | |
| Jgo. Accs. SF-26 | F30300C2605 | | |